



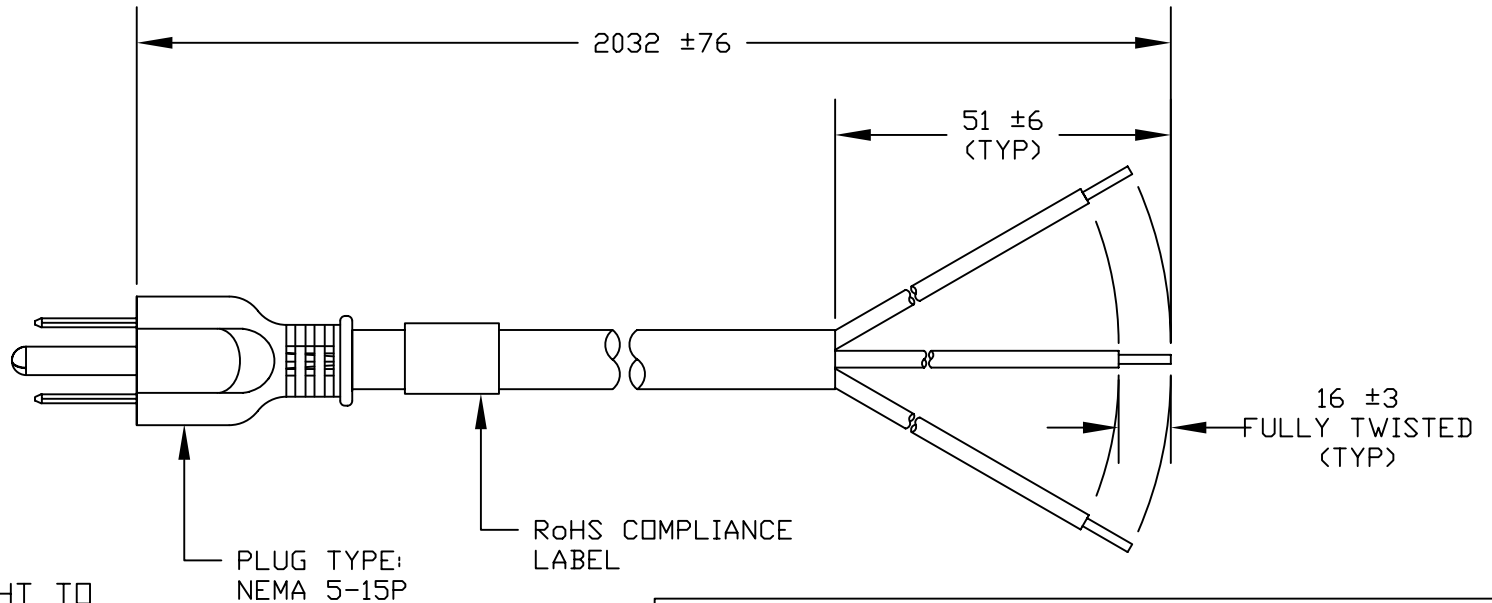
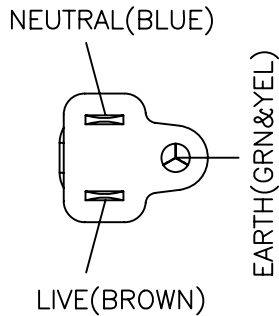
VOLEX

GROUP

Standard Cord Details: 17512 10 B1



Specifications	
Certifications	
Part Number	17512 10 B1
Connector Type	none
Plug Type	5-15P
Category	Plastic
Application	Non-Detachable
Plug Catalog No.	
Connector Catalog No.	
Cable	SJT AWG 18x3
Jacket Color	black
Length in Feet	6'7
Length in Meters	2
Temperature Rating	60
Packaging Units Per Carton	H-100,H-25
Color Coding	International
Nominal OD in Inches	0.315
Nominal OD in Millimeters	8
Notes	See 17748 for 105C version. See 17534 for SVT version.



VOLEX RESERVES THE RIGHT TO ALTER NON-CRITICAL DIMENSIONS WITHOUT NOTICE.

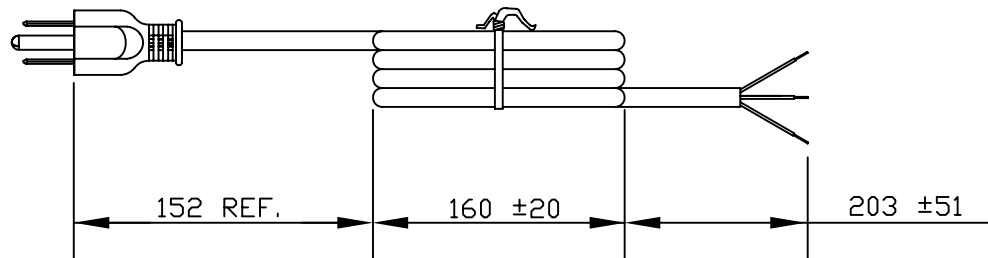
PLUG TYPE:
NEMA 5-15P

RoHS COMPLIANCE LABEL

NOTES:

- 1) CORDAGE: 18/3 SJT, 60°C, BLACK
- 2) APPROVALS:
- 3) RATING: 10 AMP/125 VOLTS
- 4) FLAME RATING : FT2
- 5) PACKAGING: 90 PIECES/CARTON
- 6) ALL DIMENSIONS IN MILLIMETERS.

PACKAGING: FOLD & TIE



REV	DESCRIPTION	DATE
2	REVISED TO SHOW CHINA MANUFACTURED CORD	11/26/07
1	C.U.D - NEW RELEASE	9/17/07



FORM IN71-07 REV.A

- Indianapolis, IN
- Conover, N.C.
- Freemont, CA
- Aguascalientes, MX
- Tijuana, Mexico
- Hermosillo, MX
- Clinton, AR
- Kanata, Canada

Proprietary Notice:

This document is the property of Volex Incorporated. The information contained herein is not to be disclosed to anyone without the express written consent of Volex Inc.

MATERIAL:

PLUG: PVC, BLACK
JACKET: PVC, BLACK

FINISH:

JACKET: SMOOTH

SCALE:
NOT TO SCALE

ECD:
N/A

ITEM DESCRIPTION
CORDSET - NORTH AMERICAN
POWER SUPPLY CORD (6'7")

TOLERANCE UNLESS OTHERWISE SPECIFIED
.XXX ± .005
.XX ± .02
.X ± .03
FRACT. ± 1/32
ANGULAR ± 1/2°

APPROVED

STC

DRAWN BY

STC

DATE:

9/17/07

PART NO.

17512 10 B1